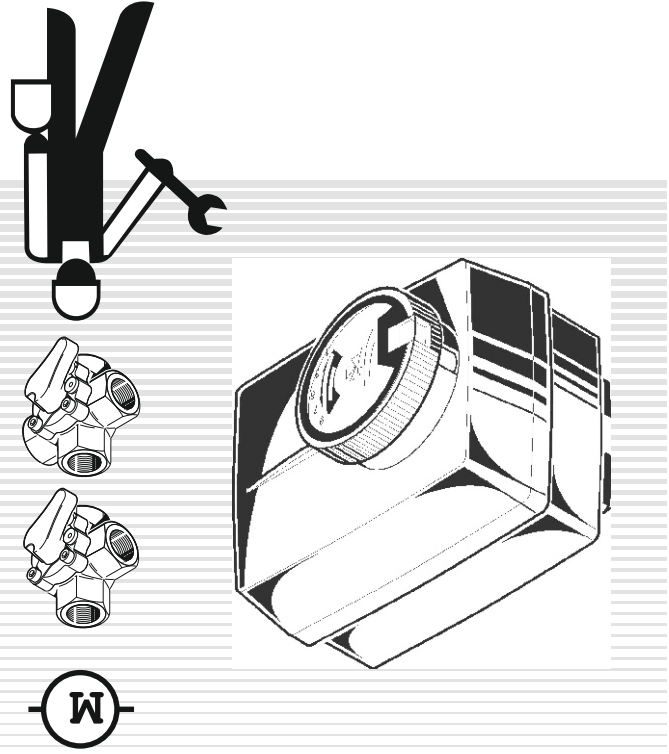
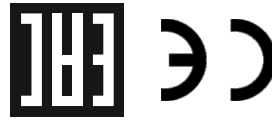
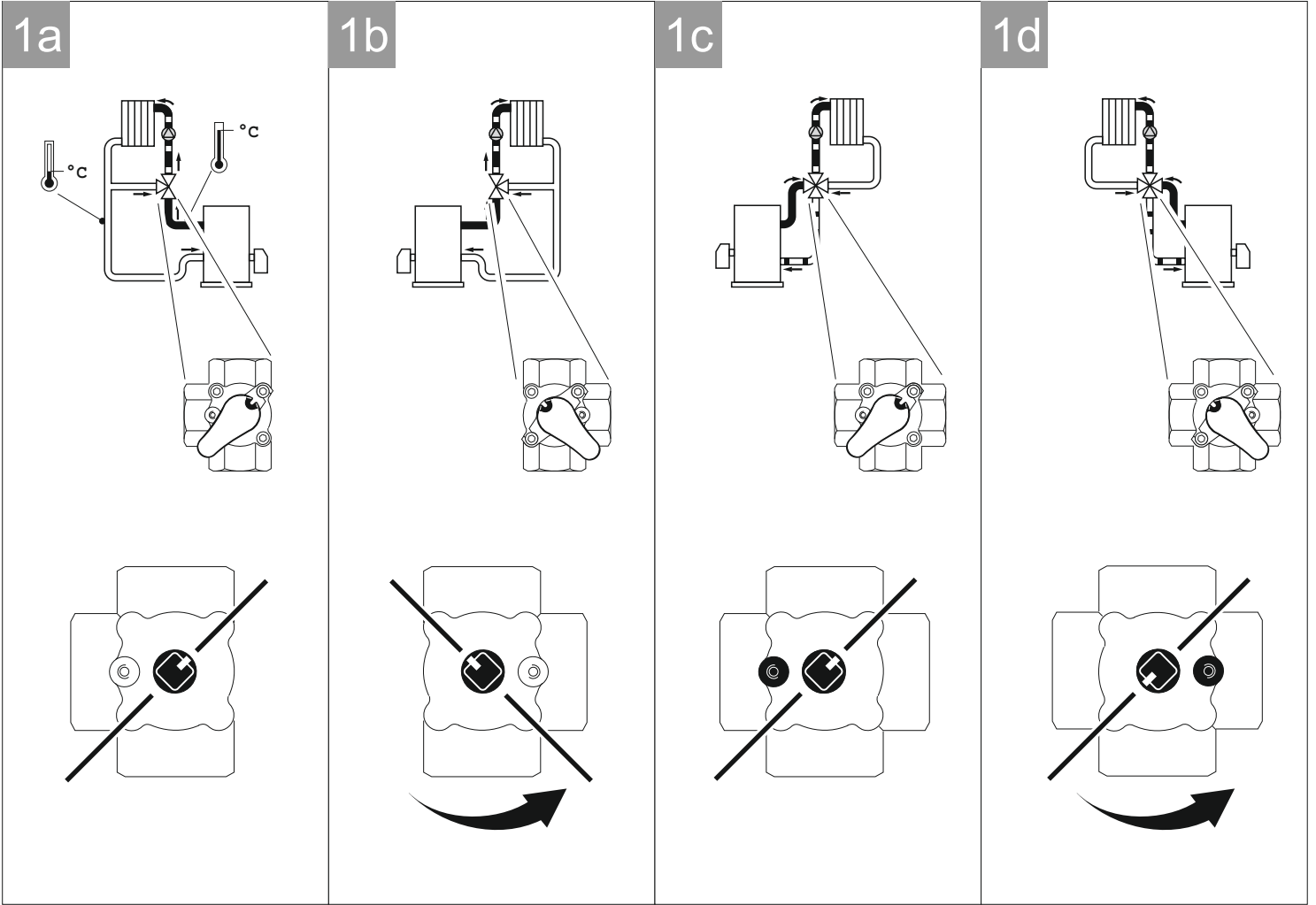


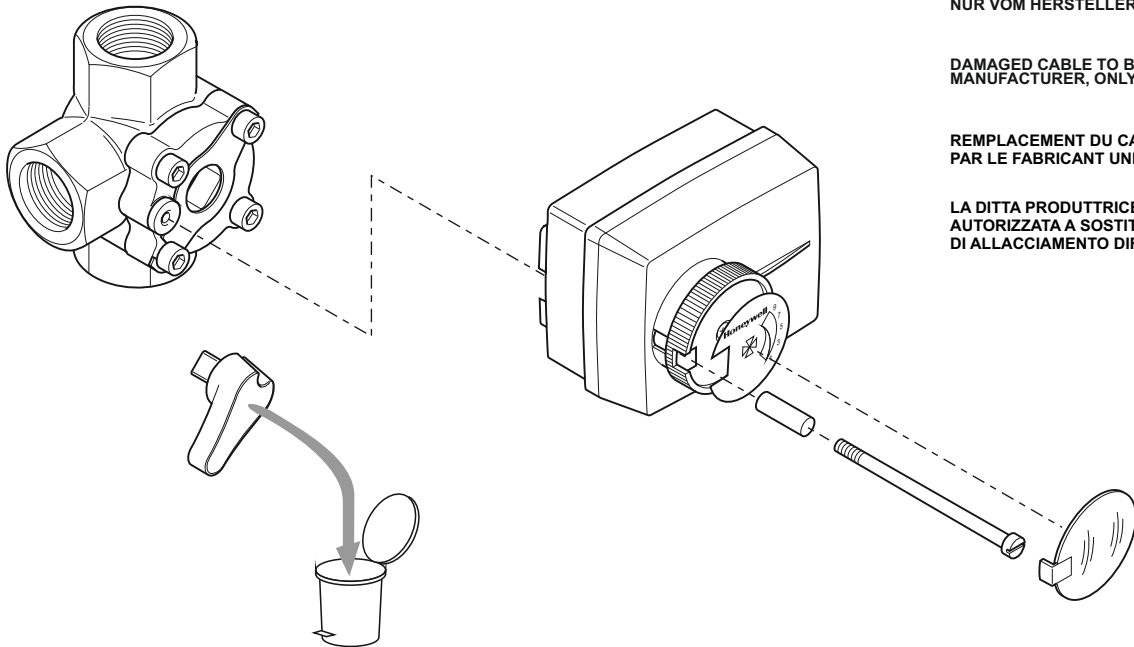
Manufactured for and on behalf of the Environmental & Energy Solutions
Division of Honeywell Technologies Sàrl, Rolle, Z.A. La Pièce 16, Switzerland
by its Authorized Representative:



M6063



2



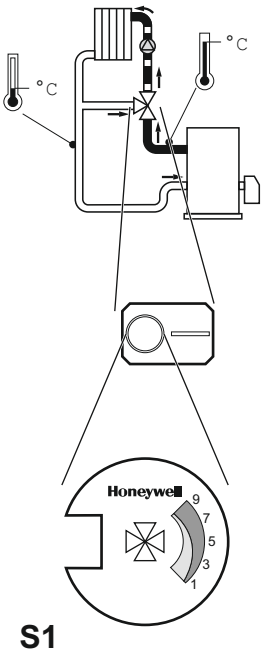
SCHADHAFT ANSCHLUSSLEITUNG DARF NUR VOM HERSTELLER ERSETZT WERDEN!

DAMAGED CABLE TO BE REPLACED BY MANUFACTURER, ONLY!

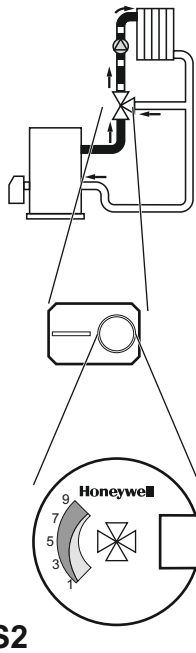
REPLACEMENT DU CABLE DEFECTUEUX PAR LE FABRICANT UNIQUEMENT!

LA DITTA PRODUTTRICE É L'UNICA AUTORIZZATA A SOSTITUIRE IL TUBO DI ALLACCIAMENTO DIFETTOSO!

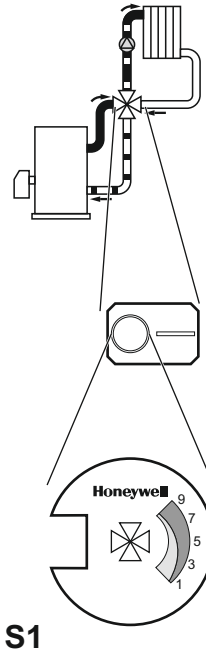
3a



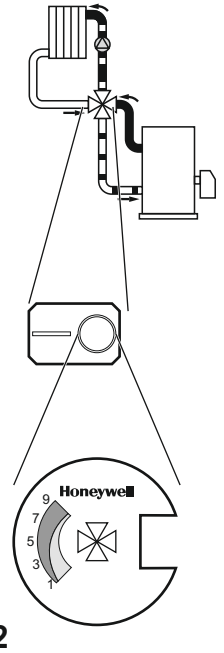
3b



3c



3d



4

